



**04** | LIGHT  
**COMMERCIAL**

# Cassette



Compact Design



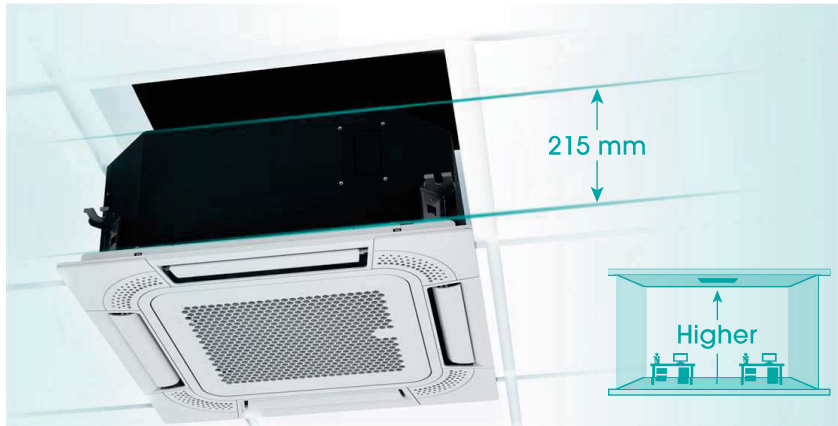
Round Flow



Fresh Air Intake



High Ceiling



## Keep your room spacious

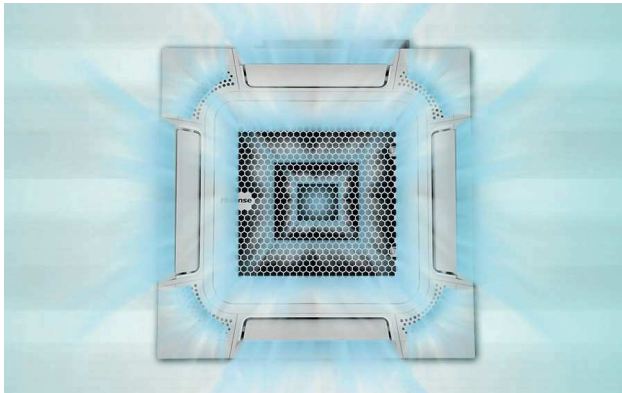
### Compact Design

The compact design with the body thickness of only 215mm and the installation thickness of 245mm reduces the ceiling height. The compact design makes the slimmest design in class.

## Next level experience

### Round Flow

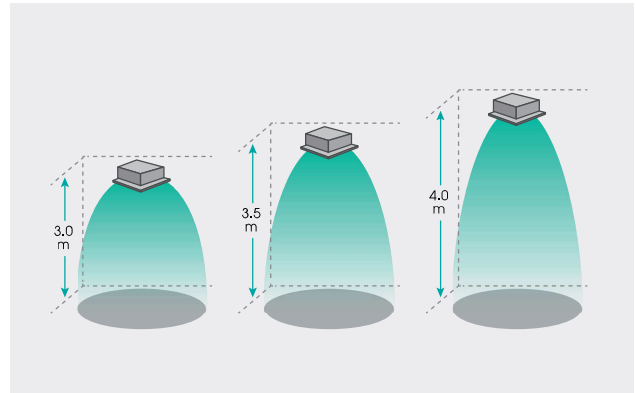
360°Round Flow can give optimum efficiency and comfort. Full-flat panel and micro-channel design allow smooth air supply and ensure the best comfort.



## Easily adjusted to your wishes and needs

### High Ceiling

When the ceiling is high, the unit parameters can be set through the wired controller to compensate the installation height, so that the cool air can blow down to people's activity area.

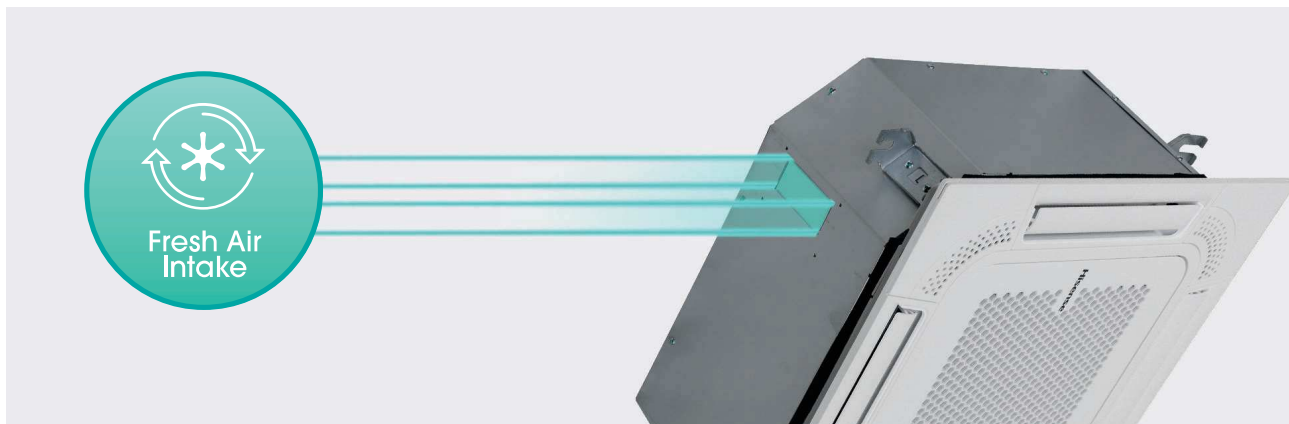


## Outdoor freshness in the comfort of your home

### Fresh Air Intake

The function of Fresh Air Intake will introduce the outdoor fresh air into the room to improve indoor air quality.

Note: The proportion of fresh air volume cannot exceed 20% of the total design air volume.



# Duct



Slim Design



Flexible Installation



1 Pa ESP Setting

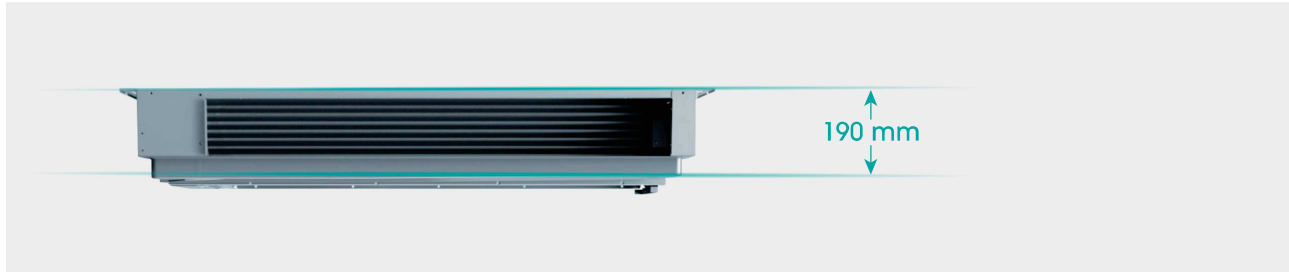


150Pa MSP Duct

## Great for all types of places

### Slim Design

The slim duct unit, with a thickness of only 190mm, makes it no longer a challenge to narrow ceiling voids. The external static pressure of up to 50Pa facilitates unit use with flexible ducts of varying lengths.

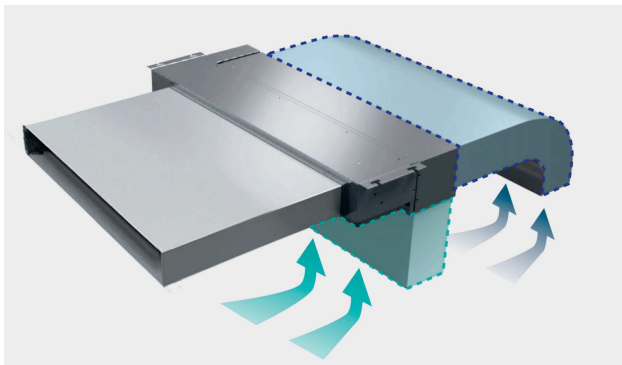


## Different air suction options

### Flexible Installation

Air suction direction can be altered from rear to bottom suction, giving a choice between free use and connection to optional suction grilles.

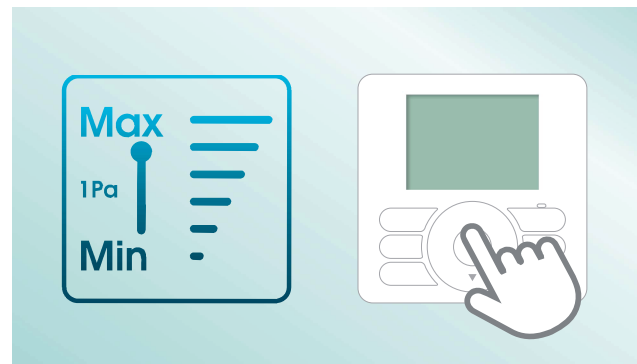
Note: The rear suction is 5dB lower than the bottom suction, so it is recommended to use the rear suction.



## Highly accurate flow remote control

### 1 Pa ESP Setting

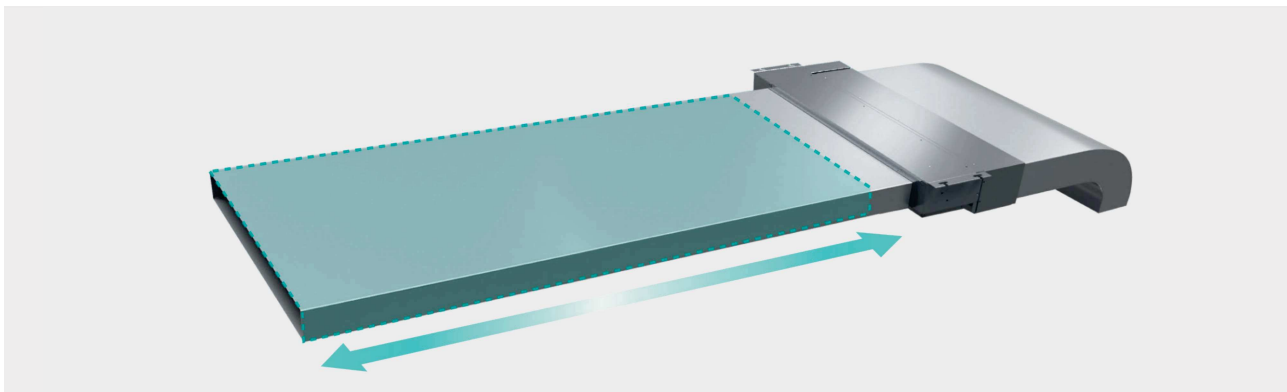
Possibility to change ESP via wired remote controller allows optimisation of the supply air volume. And the adjust precision of 1 Pa can give the most accurate ESP setting in class.



## Excellent choice for different types of buildings

### 150Pa MSP Duct

The external static pressure of MSP Duct unit up to a maximum of 150Pa makes units applicable for a wide range of building types.



# Ceiling & Floor



Several  
Installation Modes



4D Airflow



WiFi Easy

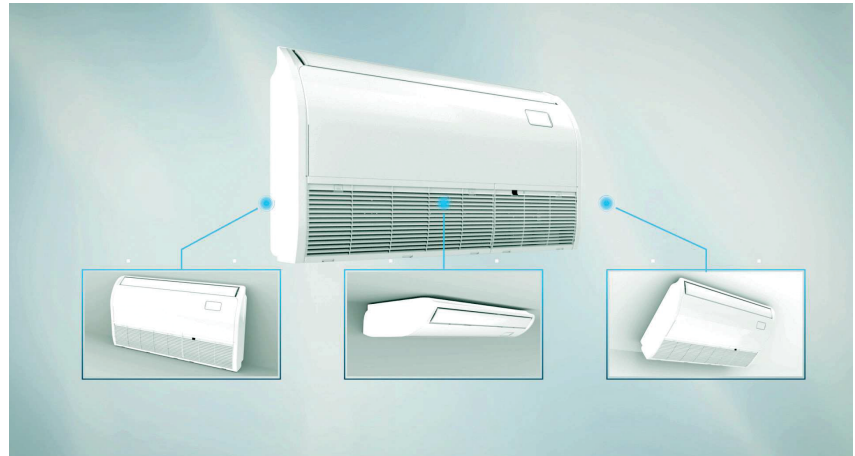


High Ceiling

## Positioned so it suits you best

### Several Installation Modes

Ceiling & Floor unit adopts a special structure which can meet seat, lifting and inclined installation mode. What's more, piping can be arranged in four directions, left, right, rear, and bottom.



## Comfortable air flow even in wide rooms

### 4D Airflow

The horizontal and vertical air flow swings can provide better room comfort. Ideal for comfortable air flow in wide rooms:

- up to 90° discharge horizontal angle
- up to 65° discharge vertical angle



## Easy wifi handling

### WiFi Easy

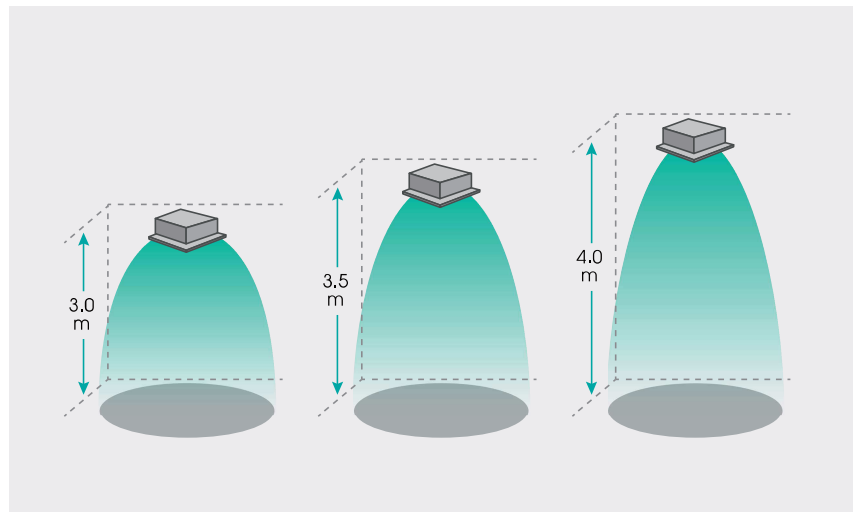
WiFi module can be fixed easily in multiple optional positions of the indoor unit with 3M double-sided tape. The installer can flexibly determine the installation location of the WiFi module according to the strength of the WiFi signal.



## Easily adjusted to your wishes and needs

### High Ceiling

When the ceiling is high, the unit parameters can be set through the wired controller to compensate the installation height, so that the cool air can blow down to people's activity area.



# Console



Several  
Airflow Modes



Independent  
Dual Vane



LED  
Display



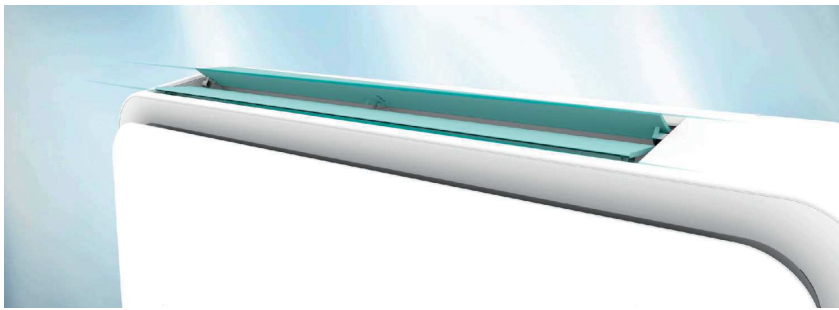
Effective  
Heating



## Different air distribution options

### Several Airflow Modes

Various air-out combinations of top air-out, bottom air-out and top-bottom make the room air distribution and temperature more comfortable.



### Better air and comfort delivery

#### Independent Dual Vane

The unique dual vane can be completely sealed when the unit is off, and can rotate independently when the unit is on. So the console unit can give a more comfortable airflow distribution.

### Discrete, yet easy to read

#### LED Display

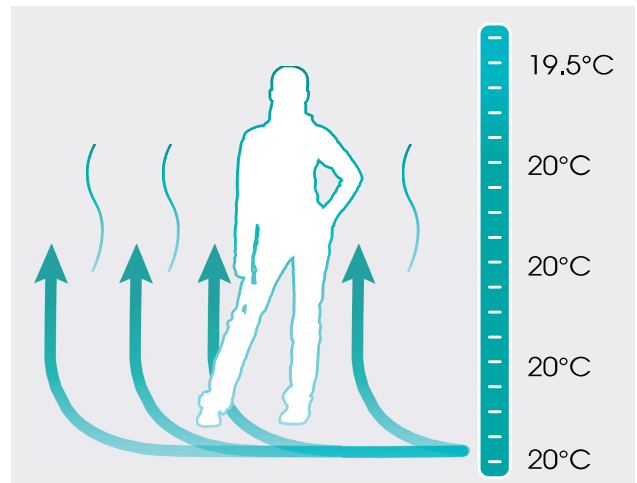
The 88 LED hidden display makes the console unit simple and beautiful.



### Warmth coming from where you need it most

#### Effective Heating

The hot airflow blowing from the bottom air-out can give an effective heating, namely Foot Warming Effect.



# LCAC ODU



Twin, Triple and Quadruple



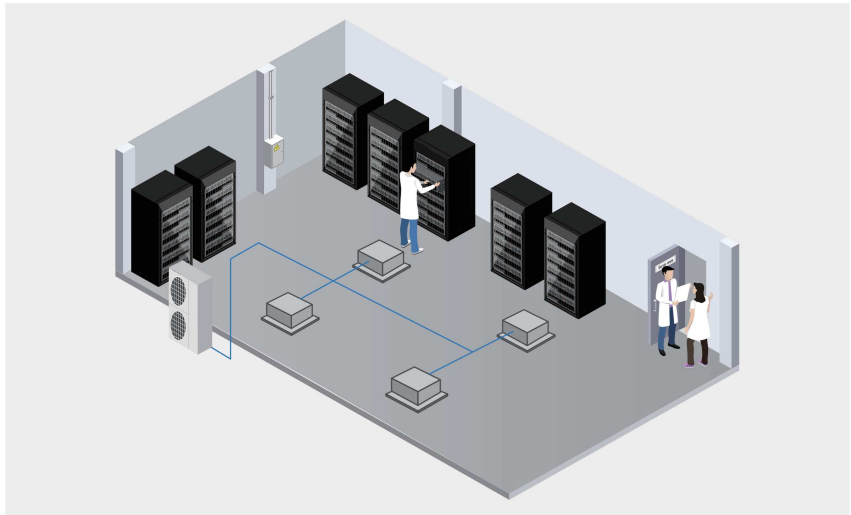
Wide Temperature Range



Leakage Alarm



Service HI-Checker



### Different units controlled through one central system

#### Twin, Triple and Quadruple

With the cooperation of simplified central control system, the LCAC unit can be combined into a simplified mini VRF system. We call them twin, triple and quadruple system.

Note: All indoor units will operate at exactly the same setting in this simplified mini VRF system.



### Delivering high and low temperatures

#### Wide Temperature Range

Cooling: -15 °C ~ 48 °C

Heating: -15 °C ~ 24 °C

The wide temperature range can cover most countries and regions with T1 and T2 climates.

Note: Refer to the temperature range in specs for the specific model.

### Safety components for carefree use

#### Leakage Alarm

The control system will send an error alarm and stop running when the refrigerant leakage ratio reaches a certain value so as to ensure safe operation of the air conditioner, especially for R32.



### Easy check-up and repair

#### Service Hi-Checker

Hi-Checker is a software application used to record and monitor operation data of Hisense Inverter Air Conditioners. Hi-Checker can help to provide a fast, efficient and professional after-sales service.



# Line up

| Super R32 Inverter



Indoor units		Model	Power
Slim Duct		ADT26UX4RBL4 ADT35UX4RBL4	→ 2.5kW, 3.5kW
		ADT52UX4RCL4 AUD71UX4RCL4	→ 5.0kW, 7.0kW
MSP Duct		AUD71UX4RDH4 AUD90UX4RDH4 AUD105UX4RDH4	→ 7.0kW, 8.5kW, 10.5kW
		AUD125UX4RHH4 AUD140UX4RHH4 AUD175UX4RHH4	→ 12.5kW, 14.0kW, 17.5kW
Compact Cassette		ACT26UR4RCA4 ACT35UR4RCA4 ACT52UR4RCA4	→ 2.5kW, 3.5kW, 5.0kW
4-Way Cassette		AUC71UR4RGB4 AUC90UR4RGB4 AUC105UR4RGB4 AUC125UR4RHB4 AUC140UR4RHB4 AUC175UR4RHB4	→ 7.0kW, 8.5kW, 10.5kW, 12.5kW, 14.0kW, 17.5kW
Console		AKT26UR4RK4 AKT35UR4RK4 AKT52UR4RK4	→ 2.5kW, 3.5kW, 5.0kW
Ceiling & Floor		AVT52UR4RA4 AUV71UR4RA4	→ 5.0kW, 7.0kW
		AUV90UR4RB4 AUV105UR4RB4	→ 8.5kW, 10.5kW
		AUV125UR4RC4 AUV140UR4RC4 AUV175UR4RC4	→ 12.5kW, 14.0kW, 17.5kW
Side Wind ODU		AUW26U4RR4 AUW35U4RS4 AUW52U4RS4 AUW71U4RF4 AUW90U4RF4	→ 2.5kW, 3.5kW, 5.0kW, 7.0kW, 8.5kW
		AUW105U4RA4 AUW125U4RT4 AUW125U6RT4	→ 10.5kW, 12.5kW
		AUW140U4RP4 AUW140U6RP4 AUW175U6RP4	→ 14.0kW, 17.5kW

# Compact Cassette



# FM Super R32 Inverter



WiFi Control

ON/ OFF  
FunctionRoom Card  
ControlFire Leakage  
ControlVertical  
Auto Swing

High Ceiling



Fresh Air Intake

Silver  
Ion Filter

Universal Unit

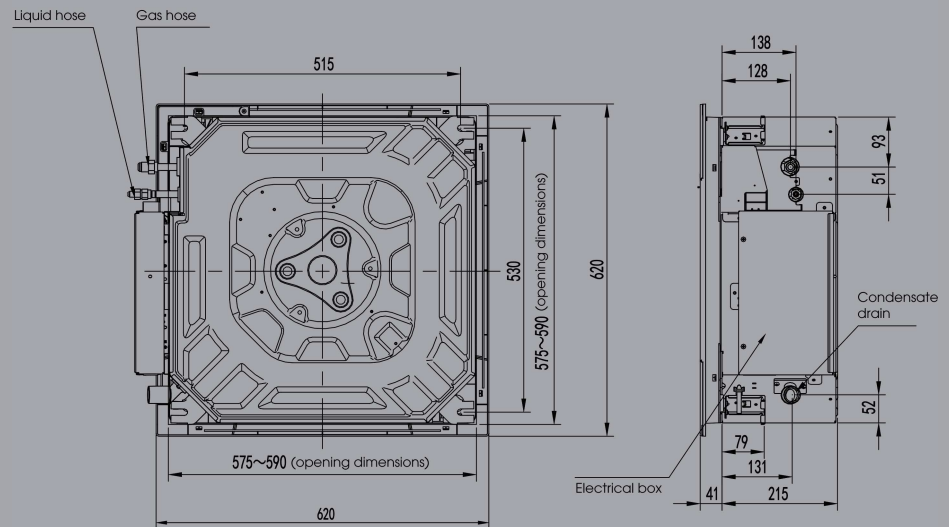
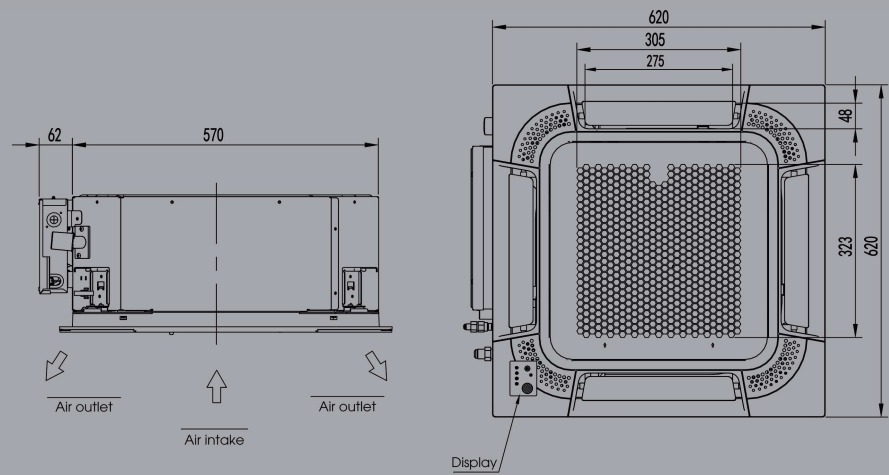
Model		ACT26UR4RRC4	ACT35UR4RSC4	ACT52UR4RSC4
Indoor Model		ACT26UR4RCA4	ACT35UR4RCA4	ACT52UR4RCA4
Outdoor Model		AUW26U4RR4	AUW35U4RS4	AUW52U4RS4
Nominal	W	2840	3750	5200
Nominal	W	3130	4000	5900
SEER	W / W	6.10	6.90	6.60
SCOP	W / W	4.30	4.40	4.40
Energy Efficiency Class		A++	A++	A++
Energy Efficiency Class		A+	A+	A+
Power Supply	Indoor	220-240V~50/60Hz	220-240V~50/60Hz	220-240V~50/60Hz
Power Supply	Outdoor	220-240V~50/60Hz	220-240V~50/60Hz	220-240V~50/60Hz
Indoor Unit (W x H x D)	mm	570 x 215 x 570	570 x 215 x 570	570 x 215 x 570
Outdoor Unit (W x H x D)	mm	730 x 540 x 260	810 x 580 x 280	810 x 580 x 280
IDU Qty' per 20' / 40' / 40'HQ		140 / 298 / 330	140 / 298 / 330	140 / 298 / 330
ODU Qty' per 20' / 40' / 40'HQ		136 / 284 / 284	102 / 204 / 272	102 / 204 / 272

# Installation Drawings

ACT26UR4RCA4

ACT35UR4RCA4

ACT52UR4RCA4



## Technical specifications

### 4-Way Cassette



### FM Super R32 Inverter



WiFi Control

ON/ OFF  
FunctionRoom Card  
ControlFire Leakage  
ControlVertical  
Auto Swing

High Ceiling



Fresh Air Intake

Silver  
Ion Filter

I Feel

Model		AUC71UR4RFB4	AUC90UR4RFB4	AUC105UR4RAGB4	AUC125UR6RTHB4
Indoor Model		AUC71UR4RGB4	AUC90UR4RGB4	AUC105UR4RGB4	AUC125UR4RHB4
Outdoor Model		AUW71U4RF4	AUW90U4RF4	AUW105U4RA4	AUW125U6RT4
Nominal	W	7300	8800	10500	12500
Nominal	W	8300	9000	11300	13500
SEER	W / W	6.60	6.10	6.10	—
SCOP	W / W	4.40	4.20	4.00	—
Energy Efficiency Class		A++	A++	A++	—
Energy Efficiency Class		A+	A+	A+	—
Power Supply	Indoor	220-240V-50/60Hz	220-240V-50/60Hz	220-240V-50/60Hz	220-240V-50/60Hz
Power Supply	Outdoor	220-240V-50/60Hz	220-240V-50/60Hz	220-240V-50/60Hz	380-415V 3N-50/60Hz
Indoor Unit (W x H x D)	mm	840 x 248 x 840	840 x 248 x 840	840 x 248 x 840	840 x 298 x 840
Outdoor Unit (W x H x D)	mm	860 x 670 x 310	860 x 670 x 310	950 x 840 x 340	950 x 1050 x 340
IDU Qty'per 20' / 40' / 40'HQ		60 / 124 / 140	60 / 124 / 140	60 / 124 / 140	50 / 114 / 128
ODU Qty'per 20' / 40' / 40'HQ		90 / 186 / 186	90 / 186 / 186	52 / 106 / 106	26 / 53 / 106

Model		AUC125UR4RTHB4	AUC140UR6RPHB4	AUC140UR4RPHB4	AUC175UR6RPHB4
Indoor Model		AUC125UR4RHB4	AUC140UR4RHB4	AUC140UR4RHB4	AUC175UR4RHB4
Outdoor Model		AUW125U4RT4	AUW140U6RP4	AUW140U4RP4	AUW175U6RP4
Nominal	W	12700	14400	14000	17200
Nominal	W	13500	17000	16800	20000
SEER	W / W	—	—	—	—
SCOP	W / W	—	—	—	—
Energy Efficiency Class		—	—	—	—
Energy Efficiency Class		—	—	—	—
Power Supply	Indoor	220-240V-50/60Hz	220-240V-50/60Hz	220-240V-50/60Hz	220-240V-50/60Hz
Power Supply	Outdoor	220-240V-50/60Hz	380-415V 3N-50/60Hz	220-240V-50/60Hz	380-415V 3N-50/60Hz
Indoor Unit (W x H x D)	mm	840 x 298 x 840	840 x 298 x 840	840 x 298 x 840	840 x 298 x 840
Outdoor Unit (W x H x D)	mm	950 x 1050 x 340	950 x 1386 x 340	950 x 1386 x 340	950 x 1386 x 340
IDU Qty'per 20' / 40' / 40'HQ		50 / 114 / 128	50 / 114 / 128	50 / 114 / 128	50 / 114 / 128
ODU Qty'per 20' / 40' / 40'HQ		26 / 53 / 106	26 / 53 / 53	26 / 53 / 53	26 / 53 / 53





## Slim Duct

## FM Super R32 Inverter



WiFi Control

ON/ OFF  
FunctionRoom Card  
ControlFire Leakage  
ControlWater Level  
SwitchBuilt-in Drain  
Pump

Slim Design

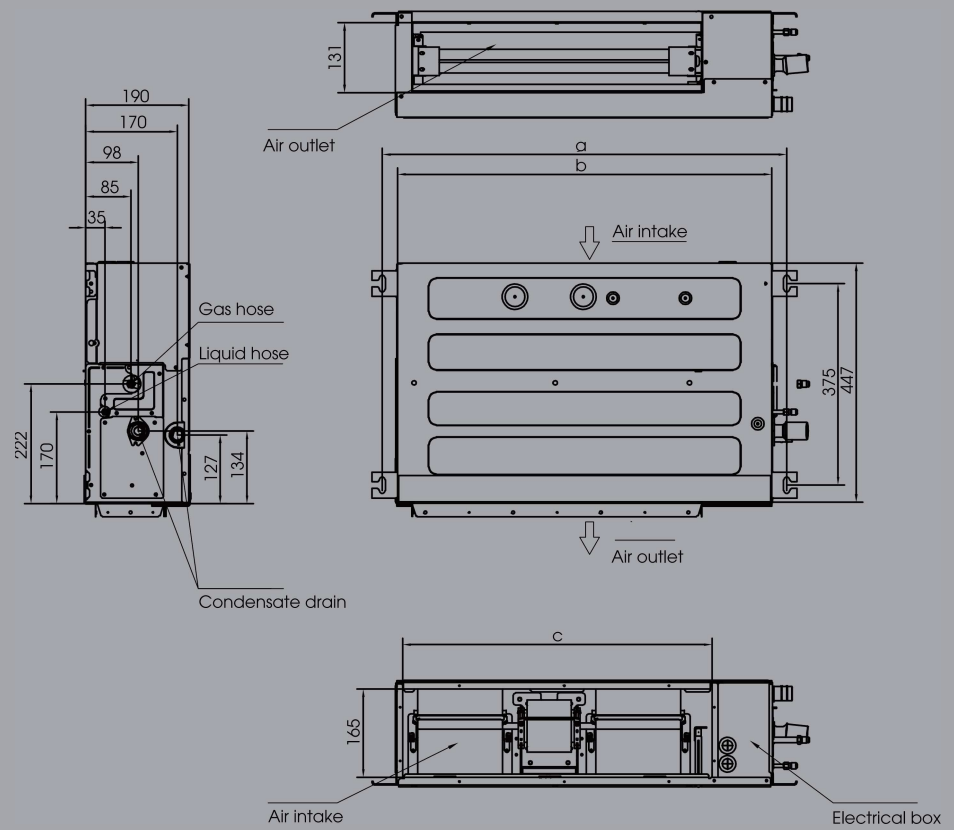
Filter Clean  
Signal

Universal Unit

Model		ADT26UX4RRBL4	ADT35UX4RSBL4	ADT52UX4RSCL4	AUD71UX4RFCL4
Indoor Model		ADT26UX4RBL4	ADT35UX4RBL4	ADT52UX4RCL4	AUD71UX4RCL4
Outdoor Model		AUW26U4RR4	AUW35U4RS4	AUW52U4RS4	AUW71U4RF4
Nominal	W	2900	3520	5300	7200
Nominal	W	3100	3800	5800	7900
SEER	W / W	6.30	6.30	6.40	6.40
SCOP	W / W	4.20	4.00	4.00	4.20
Energy Efficiency Class		A++	A++	A++	A++
Energy Efficiency Class		A+	A+	A+	A+
Power Supply	Indoor	220-240V~50/60Hz	220-240V~50/60Hz	220-240V~50/60Hz	220-240V~50/60Hz
Power Supply	Outdoor	220-240V~50/60Hz	220-240V~50/60Hz	220-240V~50/60Hz	220-240V~50/60Hz
Indoor Unit (W x H x D)	mm	910 x 190 x 447	910 x 190 x 447	1180 x 190 x 447	1180 x 190 x 447
Outdoor Unit (W x H x D)	mm	730 x 540 x 260	810 x 580 x 280	810 x 580 x 280	860 x 670 x 310
IDU Qty' per 20' / 40' / 40'HQ		160 / 352 / 396	160 / 352 / 396	128 / 264 / 297	128 / 264 / 297
ODU Qty' per 20' / 40' / 40'HQ		136 / 284 / 284	102 / 204 / 272	102 / 204 / 272	90 / 186 / 186

# Installation Drawings

ADT26UX4RBL4  
 ADT35UX4RBL4  
 ADT52UX4RBL4  
 AUD71UX4RCL4



	a	b	c
ADT26 / ADT35	961	910	786
ADT52 / AUD71	1231	1180	1056

## Technical specifications

### MSP Duct



### FM Super R32 Inverter



WiFi Control

ON/ OFF  
FunctionRoom Card  
ControlFire Leakage  
ControlWater Level  
SwitchBuilt-in Drain  
Pump

Slim Design

Filter Clean  
Signal

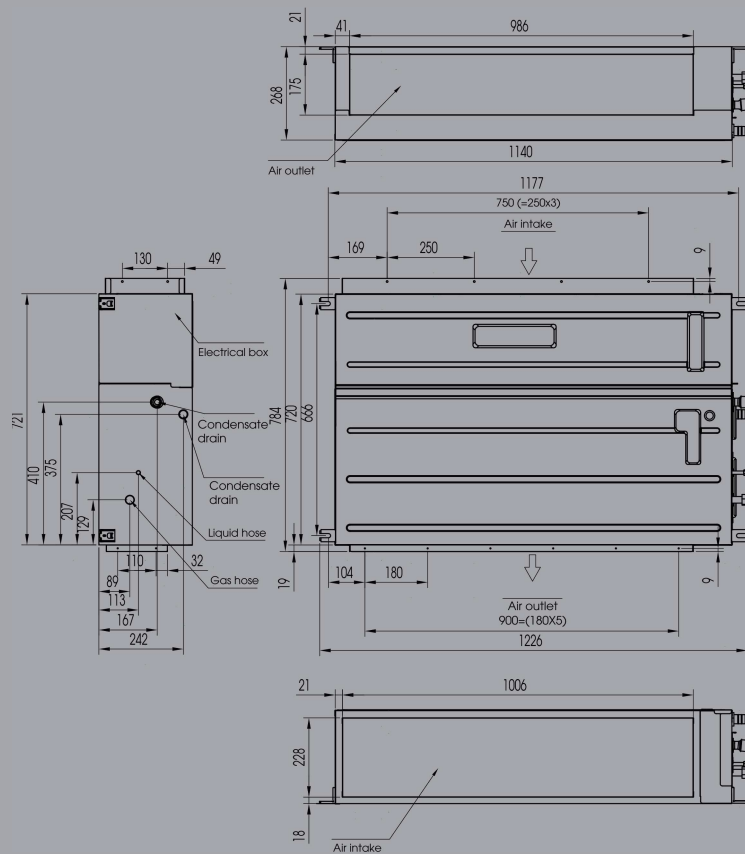
I Feel

Model		AUD71UX4RFDH4	AUD90UX4RFDH4	AUD105UX4RADH4	AUD125UX6RTHH4
Indoor Model		AUD71UX4RDH4	AUD90UX4RDH4	AUD105UX4RDH4	AUD125UX4RHH4
Outdoor Model		AUW71U4RF4	AUW90U4RF4	AUW105U4RA4	AUW125U6RT4
Nominal	W	7300	8800	10500	12500
Nominal	W	8000	9000	11500	13400
SEER	W / W	7.00	6.20	6.10	—
SCOP	W / W	4.05	4.00	4.00	—
Energy Efficiency Class		A++	A++	A++	—
Energy Efficiency Class		A+	A+	A+	—
Power Supply	Indoor	220-240V~50/60Hz	220-240V~50/60Hz	220-240V~50/60Hz	220-240V~50/60Hz
Power Supply	Outdoor	220-240V~50/60Hz	220-240V~50/60Hz	220-240V~50/60Hz	380-415V 3N~50/60Hz
Indoor Unit (W x H x D)	mm	1140 x 268 x 720	1140 x 268 x 720	1140 x 268 x 720	1300 x 350 x 800
Outdoor Unit (W x H x D)	mm	860 x 670 x 310	860 x 670 x 310	950 x 840 x 340	950 x 1050 x 340
IDU Qty'per 20' / 40' / 40'HQ		60 / 126 / 147	60 / 126 / 147	60 / 126 / 147	35 / 75 / 90
ODU Qty'per 20' / 40' / 40'HQ		90 / 186 / 186	90 / 186 / 186	52 / 106 / 106	26 / 53 / 106

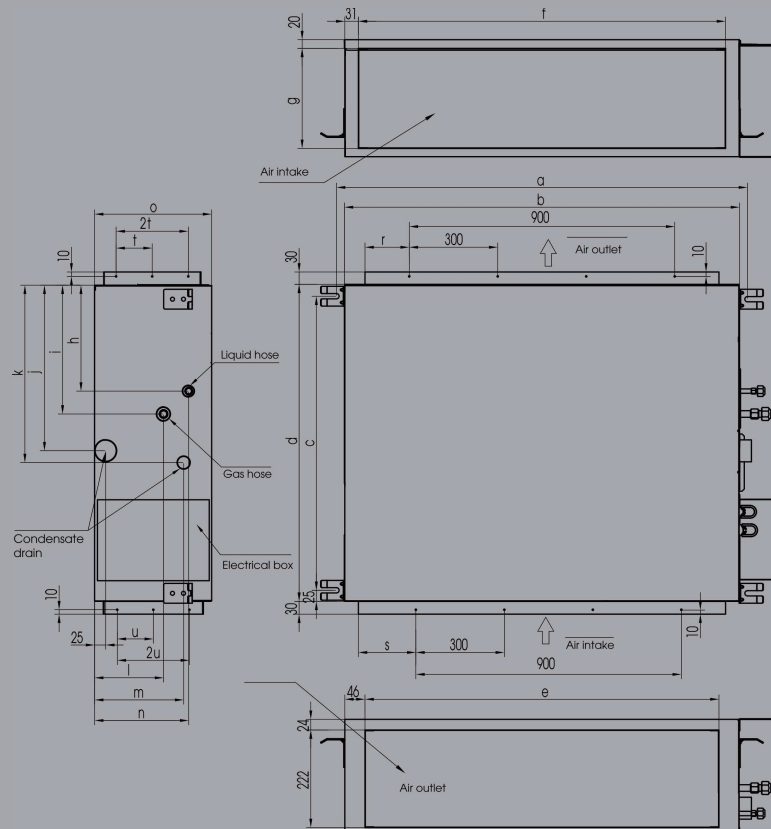
Model		AUD125UX4RTHH4	AUD140UX6RPHH4	AUD140UX4RPHH4	AUD175UX6RPHH4
Indoor Model		AUD125UX4RHH4	AUD140UX4RHH4	AUD140UX4RHH4	AUD175UX4RHH4
Outdoor Model		AUW125U4RT4	AUW140U6RP4	AUW140U4RP4	AUW175U6RP4
Nominal	W	12500	14400	14100	17500
Nominal	W	13400	17300	17100	18500
SEER	W / W	—	—	—	—
SCOP	W / W	—	—	—	—
Energy Efficiency Class		—	—	—	—
Energy Efficiency Class		—	—	—	—
Power Supply	Indoor	220-240V~50/60Hz	220-240V~50/60Hz	220-240V~50/60Hz	220-240V~50/60Hz
Power Supply	Outdoor	220-240V~50/60Hz	380-415V 3N~50/60Hz	220-240V~50/60Hz	380-415V 3N~50/60Hz
Indoor Unit (W x H x D)	mm	1300x350x800	1300 x 350 x 800	1300 x 350 x 800	1300 x 350 x 800
Outdoor Unit (W x H x D)	mm	950 x 1050 x 340	950 x 1386 x 340	950 x 1386 x 340	950 x 1386 x 340
IDU Qty'per 20' / 40' / 40'HQ		35 / 75 / 90	35 / 75 / 90	35 / 75 / 90	35 / 75 / 90
ODU Qty'per 20' / 40' / 40'HQ		26 / 53 / 106	26 / 53 / 53	26 / 53 / 53	26 / 53 / 53

# Installation Drawings

AUD90UX4RDH5  
AUD105UX4RDH5



AUD125UX4RHH5  
AUD140UX4RHH5  
AUD175UX4RHH5



<b>a</b>	<b>b</b>	<b>c</b>
1334	1300	756
<b>d</b>	<b>e</b>	<b>f</b>
800	1205	1235
<b>g</b>	<b>h</b>	<b>i</b>
308	237	312
<b>j</b>	<b>k</b>	<b>l</b>
375	400	204
<b>m</b>	<b>n</b>	<b>o</b>
186	242	350
<b>p</b>	<b>q</b>	<b>r</b>
3	900	153
<b>s</b>	<b>t</b>	<b>u</b>
168	90	140

## Technical specifications

# Ceiling & Floor

## FM Super R32 Inverter



WiFi Control



ON/ OFF  
Function



Room Card  
Control



Fire Leakage  
Control



4D Airflow



High Ceiling



Slim Design



Silver  
Ion Filter



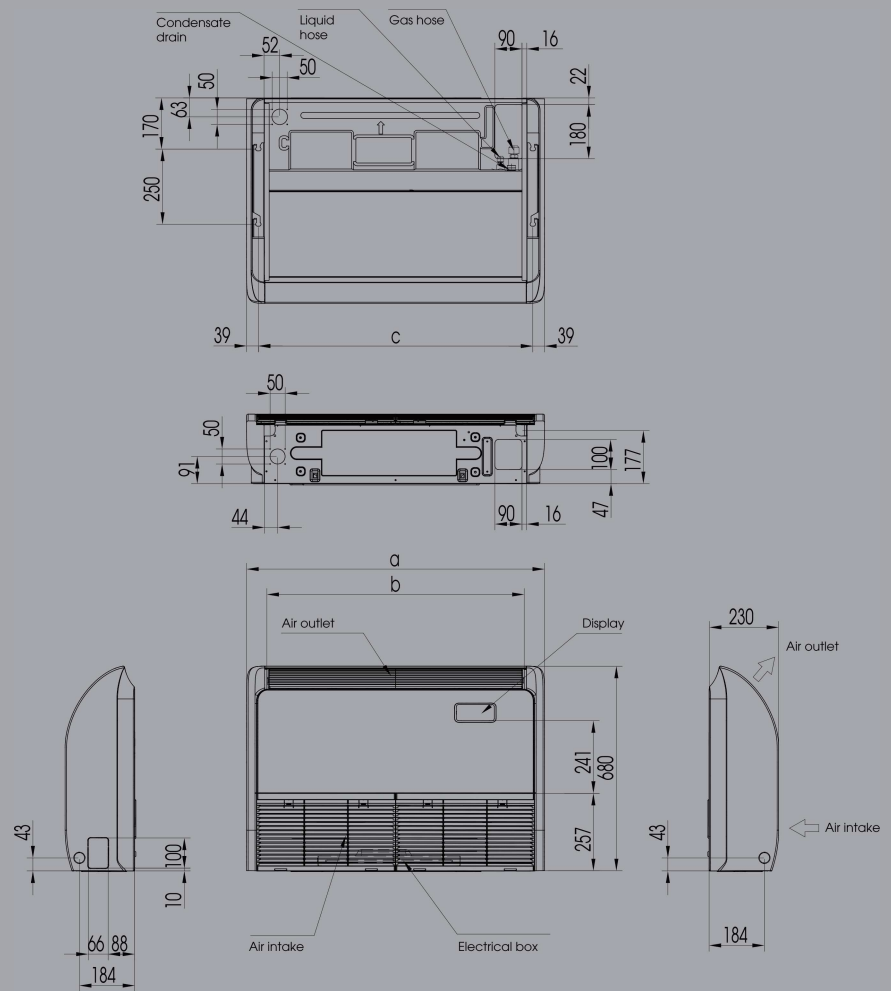
I Feel

Model		AVT52UR4RSA4	AUV71UR4RFA4	AUV90UR4RFB4	AUV105UR4RAB4	AUV125UR6RTC4
Indoor Model		AVT52UR4RA4	AUV71UR4RA4	AUV90UR4RB4	AUV105UR4RB4	AUV125UR4RC4
Outdoor Model		AUW52U4RS4	AUW71U4RF4	AUW90U4RF4	AUW105U4RA4	AUW125U6RT4
Nominal	W	5280	6900	8800	10000	12300
Nominal	W	5600	7800	9000	11300	13500
SEER	W / W	6.30	6.10	6.10	6.10	—
SCOP	W / W	4.40	4.20	4.10	4.00	—
Energy Efficiency Class		A++	A++	A++	A++	—
Energy Efficiency Class		A+	A+	A+	A+	—
Power Supply	Indoor	220-240V~50/60Hz	220-240V~50/60Hz	220-240V~50/60Hz	220-240V~50/60Hz	220-240V~ 50/ 60Hz
Power Supply	Outdoor	220-240V~ 50/ 60Hz	220-240V~50/60Hz	220-240V~50/60Hz	220-240V~50/60Hz	380-415V 3N~ 50/60Hz
Indoor Unit (W x H x D)	mm	990 x 680 x 230	990 x 680 x 230	1285 x 680 x 230	1285 x 680 x 230	1580 x 680 x 230
Outdoor Unit (W x H x D)	mm	810 x 580 x 280	860 x 670 x 310	860 x 670 x 310	950 x 840 x 340	950 x 1050 x 340
IDU Qty'per 20' / 40' / 40'HQ		84 / 168 / 196	84 / 168 / 196	66 / 132 / 154	66 / 132 / 154	42/ 84/ 98
ODU Qty'per 20' / 40' / 40'HQ		102 / 204 / 272	90 / 186 / 186	90 / 186 / 186	52 / 106 / 106	26/ 53/ 106

Model		AUV125UR4RTC4	AUV140UR6RPC4	AUV140UR4RPC4	AUV175UR6RPC4
Indoor Model		AUV125UR4RC4	AUV140UR4RC4	AUV140UR4RC4	AUV175UR4RC4
Outdoor Model		AUW-42U4RT4	AUW140U6RP4	AUW140U4RP4	AUW175U6RP4
Nominal	W	12700	14300	14000	17000
Nominal	W	13500	16700	16500	18000
SEER	W / W	—	—	—	—
SCOP	W / W	—	—	—	—
Energy Efficiency Class		—	—	—	—
Energy Efficiency Class		—	—	—	—
Power Supply	Indoor	220-240V~50/60Hz	220-240V~ 50/ 60Hz	220-240V~50/60Hz	220-240V~ 50/ 60Hz
Power Supply	Outdoor	220-240V~50/60Hz	380-415V 3N~ 50/60Hz	220-240V~50/60Hz	380-415V 3N~ 50/60Hz
Indoor Unit (W x H x D)	mm	1580x680x230	1580 x 680 x 230	1580 x 680 x 230	1580 x 680 x 230
Outdoor Unit (W x H x D)	mm	950 x 1050 x 340	950 x 1386 x 340	950 x 1386 x 340	950 x 1386 x 340
IDU Qty'per 20' / 40' / 40'HQ		42 / 84 / 98	42 / 84 / 98	42 / 84 / 98	42 / 84 / 98
ODU Qty'per 20' / 40' / 40'HQ		26 / 53 / 106	26 / 53 / 53	26 / 53 / 53	26 / 53 / 53

# Installation Drawings

AVT52UR4RA4  
 AUV71UR4RA4  
 AUV90UR4RB4  
 AUV105UR4RB4  
 AUV125UR4RC4  
 AUV140UR4RC4  
 AUV175UR4RC4



	a	b	c
AVT52UR4RA4 / AUV71UR4RA4	990	855	912
AUV90UR4RB4 / AUV105UR4RB4	1285	1150	1207
AUV125UR4RC4 / AUV140UR4RC4 / AUV175UR4RC4	1580	1445	1502

## Technical specifications

# Console



# FM Super R32 Inverter

 WiFi Control

 ON/ OFF Function

 Room Card Control

 Fire Leakage Control

 Vertical Auto Swing

 Wired Controller

 Slim Design

 Universal Unit

 I Feel

Model		AKT26UR4RRK4	AKT35UR4RSK4	AKT52UR4RSK4
Indoor Model		AKT26UR4RK4	AKT35UR4RK4	AKT52UR4RK4
Outdoor Model		AUW26U4RR4	AUW35U4RS4	AUW52U4RS4
Nominal	W	2950	3520	5000
Nominal	W	3050	3800	5100
SEER	W / W	6.50	6.50	6.50
SCOP	W / W	4.20	4.10	4.10
Energy Efficiency Class		A++	A++	A++
Energy Efficiency Class		A+	A+	A+
Power Supply	Indoor	220-240V~50/60Hz	220-240V~50/60Hz	220-240V~50/60Hz
Power Supply	Outdoor	220-240V~50/60Hz	220-240V~50/60Hz	220-240V~50/60Hz
Indoor Unit (W x H x D)	mm	700 x 630 x 220	700 x 630 x 220	700 x 630 x 220
Outdoor Unit (W x H x D)	mm	730 x 540 x 260	810 x 580 x 280	810 x 580 x 280
IDU Qty'per 20' / 40' / 40'HQ		154 / 308 / 308	154 / 308 / 308	154 / 308 / 308
ODU Qty'per 20' / 40' / 40'HQ		136 / 284 / 284	102 / 204 / 272	102 / 204 / 272

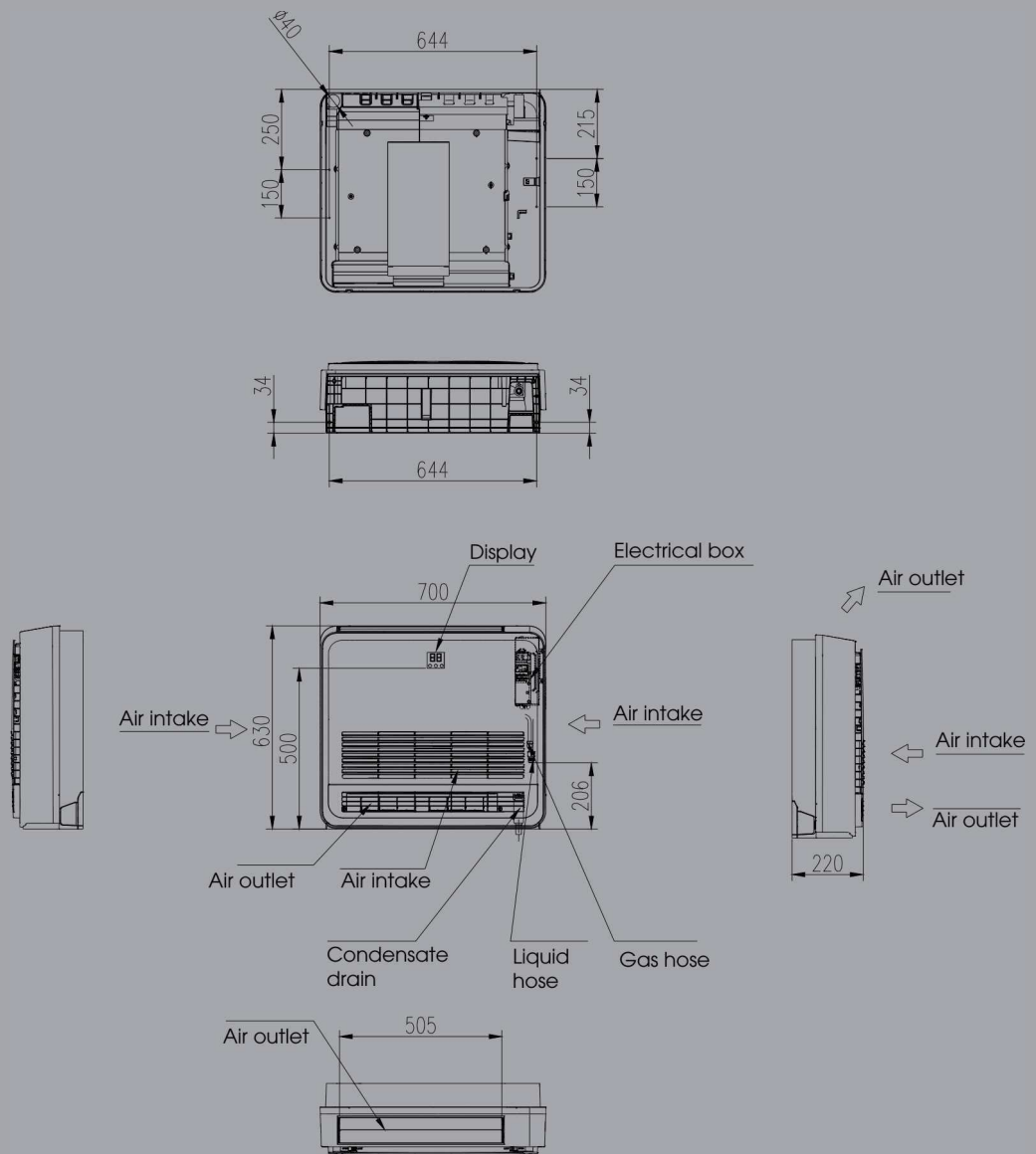


# Installation Drawings

AKT26UR4RK4

AKT35UR4RK4

AKT52UR4RK4



# Floor Standing

**ERP R32**


WiFi Easy


 ON/ OFF  
Function

 Room Card  
Control

 Fire Leakage  
Control


4D Airflow



Sleep Mode


 Wired  
Controller


I Feel



R32 New Gas

<b>Model</b>	<b>AUF140UR6RTMPA</b>	
Indoor Model	AUF140UR4RMPA	
Outdoor Model	AUW140U6RT	
Nominal	W	12300
Nominal	W	14000
SEER	W / W	—
SCOP	W / W	—
Energy Efficiency Class	—	
Energy Efficiency Class	—	
Power Supply	Indoor	220-240V-50/60Hz
Power Supply	Outdoor	380-415V 3N- 50/60Hz
Indoor Unit (W × H × D)	mm	580 × 1870 × 380
Outdoor Unit (W × H × D)	mm	950 × 1050 × 340
IDU Qty'per 20' / 40' / 40'HQ	32 / 68 / 85	
ODU Qty'per 20' / 40' / 40'HQ	26 / 53 / 106	

# Installation Drawings

AUF140UR4RMPA

