
The Fujitsu logo, featuring the word "FUJITSU" in a white, sans-serif font with a stylized infinity symbol above the letter "J".

FUJITSU

AIR CONDITIONERS LINEUP

A vibrant blue sky with fluffy white clouds on the left side. Several bright green leaves are scattered across the sky, appearing to be blowing in the wind. The overall scene is bright and airy.

The Intelligent Choice in Comfort

PRODUCT CATALOGUE 2014

SPLIT / MULTI SPLIT / VRF / VENTILATION / AIR TO WATER

FUJITSU GENERAL LIMITED

Compact Cassette

Model : AUYG12LVLB / AUYG14LVLB / AUYG18LVLB / AUYG24LVLA



Wireless R.C.



For AUYG12/14/18LVLB



For AUYG24LVLA



Features

2-stage turbo fan

High efficiency design by 2 stage structure

Wind velocity

Fast

Slow

Previous turbo fan

In the case of a conventional fan, the air outlet range was narrow as the airflow moved to the motor side which meant the velocity of air passing through the heat exchanger was uneven.

2-stage turbo fan

A evenly spread air distribution across the heat exchanger is possible due to the new 2 stage turbo fan which produces two separate airflow streams.

Heat exchange efficiency: **20%UP**

Quiet quality

Optimization of wing form (laminar wing type) and wing number (7 blades each)

Designed by CFD-analysis (fluid) simulations

Laminar wing

Airflow runs through smoothly along the laminar wing

No airflow separation

Quiet

Quiet

Adoption of laminar wing

Spin direction ← Airflow direction →

Easy maintenance

1 Maintenance of fan motor and fan

Maintenance of the fan motor and fan can be done easily after taking off the panel as the bell mouth of the fan can be removed easily.

A : Fan motor B : 2-stage turbo fan
C : Bell-mouth D : Panel

2 Air filter

: standard equipment

3 Adaptation of transparent drainage parts

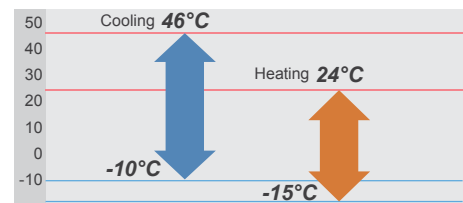
During installation, maintenance and operation, the drain pump and kit can be checked easily.



High lift drain pump



Low ambient operation



Compact design

World's first 24,000Btu model in the compact cassette category (Easy installation by taking off ceiling panel of 600 x 600 size)

Optional parts

Air Outlet Shutter Plate:	UTR-YDZB
Wired Remote Controller:	UTY-RNNYM, UTY-RVNYM
Simple Remote Controller:	UTY-RSNYM
Insulation Kit For High Humidity:	UTZ-KXGC
Fresh Air Intake Kit:	UTZ-VXAA

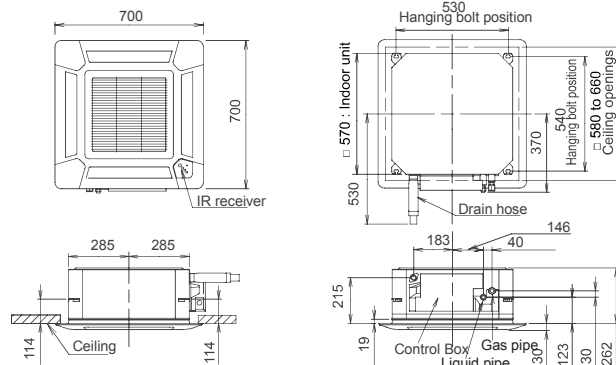


Specifications

Model No.	Indoor unit		AUYG12LVLB	AUYG14LVLB	AUYG18LVLB	AUYG24LVLA	
	Outdoor unit		AOYG12LALL	AOYG14LALL	AOYG18LALL	AOYG24LALA	
Power Source	V/∅/Hz		230/1/50	230/1/50	230/1/50	230/1/50	
Capacity	Cooling	kW	3.5 (0.9-4.4)	4.3 (0.9-5.4)	5.2 (0.9-5.9)	6.8 (0.9-8.0)	
	Heating		4.1 (0.9-5.7)	5.0 (0.9-6.5)	6.0 (0.9-7.5)	8.0 (0.9-9.1)	
Input Power	Cooling/Heating	kW	1.05/1.11	1.33/1.34	1.62/1.66	2.21/2.26	
EER	Cooling	W/W	3.33	3.21	3.21	3.08	
COP	Heating		3.69	3.71	3.61	3.54	
Pdesign	Cooling/Heating (@-10°C)	kW	3.5/4.2	4.3/4.5	5.2/5.2	6.8/6.0	
SEER	Cooling	W/W	6.20	6.40	6.20	5.60	
SCOP	Heating (Average)		4.10	4.40	4.20	3.90	
Energy Efficiency Class	Cooling		A++	A++	A++	A+	
	Heating (Average)		A+	A+	A+	A	
Running Current	Cooling/Heating	A	4.8/5.1	6.1/6.1	7.2/7.4	9.7/9.9	
Annual Energy Consumption	Cooling	kWh/a	198	235	293	425	
	Heating		1431	1432	1731	2151	
Moisture Removal			l/h	1.2	1.5	2.2	
Sound Pressure (Cooling)	Indoor	H/M/L/Q	dB(A)	37/34/30/27		38/34/30/27	
	Outdoor	High		47	49	50	52
Sound Power (Cooling)	Indoor	High		49	50	50	59
	Outdoor	High		61	62	62	67
Airflow Rate (High)	Indoor / Outdoor		m³/h	600/1780	680/1910	680/2000	930/2470
Net Dimension H x W x D	Indoor	mm		245×570×570/49×700×700	245×570×570/49×700×700	245×570×570/49×700×700	245×570×570/49×700×700
		kg(lbs)		15 (33) / 2.6 (6)	15 (33) / 2.6 (6)	15 (33) / 2.6 (6)	16 (35) / 2.6 (6)
	Outdoor	mm		578×790×300	578×790×300	578×790×300	578×790×315
		kg(lbs)		40 (88)	40 (88)	40 (88)	44 (97)
Piping Connections (Small / Large)			mm	6.35/9.52	6.35/12.70	6.35/12.70	6.35/15.88
Drain Hose Diameter (I.D./O.D.)			mm	25/32	25/32	25/32	25/32
Max Pipe Length (Pre-Charge)			m	25 (15)	25 (15)	25 (15)	30 (15)
Max Height Difference				15	15	15	20
Operation Range	Cooling	°CDB	-10 to 46	-10 to 46	-10 to 46	-10 to 46	
	Heating		-15 to 24	-15 to 24	-15 to 24	-15 to 24	
Refrigerant (Global Warming Potential)			R410A (1,975)	R410A (1,975)	R410A (1,975)	R410A (1,975)	
Cassette Grille			UTG-UFYD-W	UTG-UFYD-W	UTG-UFYD-W	UTG-UFYD-W	

Dimensions Models : AUYG12LVLB / AUYG14LVLB / AUYG18LVLB / AUYG24LVLA

(Unit : mm)



Cassette

Model : AUYG30LRLE / AUYG36LRLE / AUYG45LRLA / AUYG54LRLA /
 AUYG36LRLA [3phase] / AUYG45LRLA [3phase] / AUYG54LRLA [3phase]



Wired R.C.



For AUYG30/36LRLE



For AUYG36/45/54LRLA

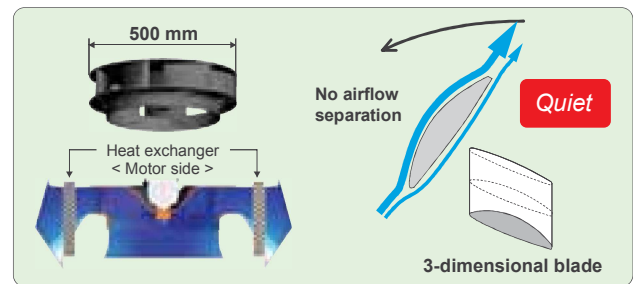
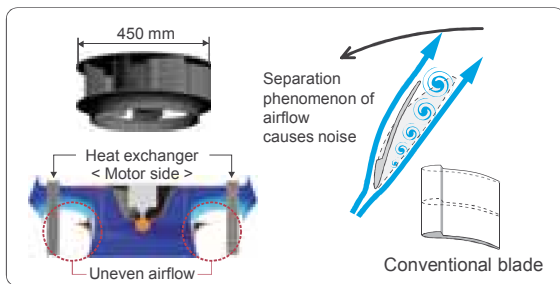


Features

High efficiency turbo fan with 3-dimensional blade

Previous turbo fan: Air passing through the heat exchanger was uneven and the air would only flow close to the ceiling.

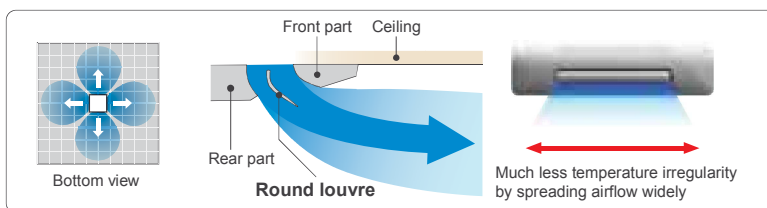
New turbo fan: High efficiency airflow distribution has been achieved by the introduction of a 3 dimensional blade which increases the air passing over the heat exchanger.



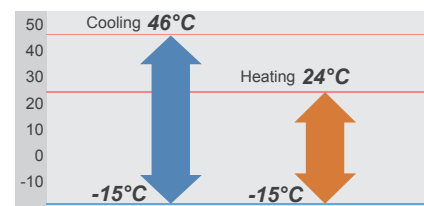
← : Spin direction → : Airflow direction ••••• : Turbulent flow noise

Improvement of the airflow distribution

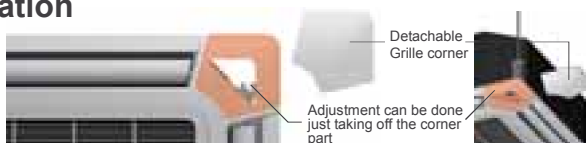
New louvre: The louvre design distributes air leaving a space between the chassis and the ceiling allowing far and wide airflow distribution.



Low ambient operation



Adjustment of hanger position is possible after installation



High lift drain pump



Optional parts

Wired Remote Controller:	UTY-RNNYM, UTY-RVNYM
Simple Remote Controller:	UTY-RSNYM
IR Receiver Kit:	UTY-LRHYA2
Wide Panel:	UTG-AGYA-W
Panel Spacer:	UTG-BGYA-W
Air Outlet Shutter Plate:	UTR-YDZC
Insulation Kit For High Humidity:	UTZ-KXGA
Fresh Air Intake Kit:	UTZ-VXGA



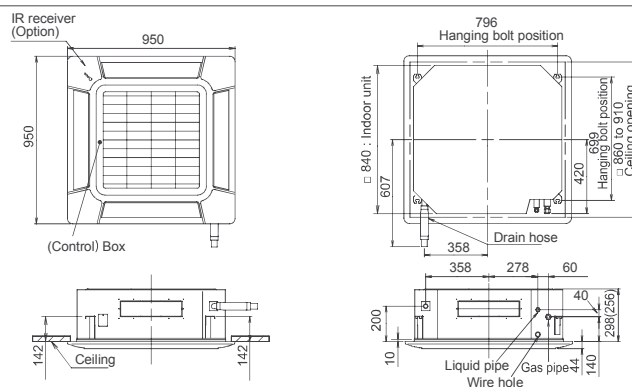
Specifications

Model No.	Indoor unit		AUYG30LRLE	AUYG36LRLE	AUYG45LRLA	AUYG54LRLA	AUYG36LRLA	AUYG45LRLA	AUYG54LRLA	
	Outdoor unit		AOYG30LETL	AOYG36LETL	AOYG45LETL	AOYG54LETL	AOYG36LATT	AOYG45LATT	AOYG54LATT	
Power Source	V/∅/Hz		230/1/50	230/1/50	230/1/50	230/1/50	400/3/50	400/3/50	400/3/50	
Capacity	Cooling	kW	8.5 (2.8-10.0)	10.0 (2.8-11.2)	12.5 (4.0-14.0)	13.3 (4.5-14.5)	10.0 (4.7-11.4)	12.5 (5.0-14.0)	14.0 (5.4-16.0)	
	Heating		10.0 (2.7-11.2)	11.2 (2.7-12.7)	14.0 (4.2-16.2)	16.0 (4.7-16.5)	11.2 (5.0-14.0)	14.0 (5.4-16.2)	16.0 (5.8-18.0)	
Input Power	Cooling/Heating	kW	2.65/2.77	3.12/3.02	3.88/3.77	4.42/4.69	2.44/2.56	3.54/3.58	4.36/4.43	
EER	Cooling	W/W	3.21	3.21	3.22	3.01	4.10	3.53	3.21	
COP	Heating		3.61	3.71	3.71	3.41	4.38	3.91	3.61	
Pdesign	Cooling/Heating	kW	8.5/8.0	10.0/8.7	-	-	10.0/10.0	-	-	
SEER	Cooling	W/W	6.50	6.30	-	-	6.50	-	-	
SCOP	Heating		4.30	4.20	-	-	4.30	-	-	
Energy Efficiency Class	Cooling		A++	A++	-	-	A++	-	-	
	Heating		A+	A+	-	-	A+	-	-	
Running Current	Cooling/Heating	A	11.6/12.2	13.7/13.3	17.0/16.5	19.3/20.5	3.7/3.9	5.3/5.3	6.5/6.6	
Annual Energy Consumption	Cooling	kWh/a	458	555	-	-	573	-	-	
	Heating		2604	2897	-	-	3253	-	-	
Moisture Removal			l/h	2.5	3.5	4.5	5.0	3.0	4.5	5.0
Sound Pressure (Cooling)	Indoor	H/M/L/Q	40/38/36/32				44/39/36/33			
	Outdoor	High	dB(A)				dB(A)			
Sound Power (Cooling)	Indoor	High	53				51			
	Outdoor	High	54				54			
Airflow Rate (High)	Indoor / Outdoor	m³/h	1600/3600		1800/3800		1900/6750		2000/6750	
			288x840x840 50x950x950		288x840x840 50x950x950		288x840x840 50x950x950		288x840x840 50x950x950	
Net Dimension H x W x D	Indoor	mm	26 (57) / 5.5 (12)				26 (57) / 5.5 (12)			
		kg(lbs)	830x900x330				1290x900x330			
	Outdoor	kg(lbs)	61 (135)		61 (135)		86 (190)		86 (190)	
Piping Connections (Small / Large)			9.52/15.88		9.52/15.88		9.52/15.88		9.52/15.88	
Drain Hose Diameter (I.D./O.D.)			25.0/32.0		25.0/32.0		25.0/32.0		25.0/32.0	
Max Pipe Length (Pre-Charge)			50 (20)		50 (20)		50 (20)		50 (20)	
Max Height Difference			30		30		30		30	
Operation Range	Cooling	°CDB	-15 to 46		-15 to 46		-15 to 46		-15 to 46	
	Heating		-15 to 24		-15 to 24		-15 to 24		-15 to 24	
Refrigerant (Global Warming Potential)			R410A (1,975)		R410A (1,975)		R410A (1,975)		R410A (1,975)	
Cassette Grille			UTG-UGYA-W		UTG-UGYA-W		UTG-UGYA-W		UTG-UGYA-W	

Dimensions

Models : AUYG30LRLE / AUYG36LRLE / AUYG36LRLA / AUYG45LRLA / AUYG54LRLA

(Unit : mm)



Slim Duct

Model : ARYG12LLTB / ARYG14LLTB / ARYG18LLTB



ARYG12/14LLTB



ARYG18LLTB



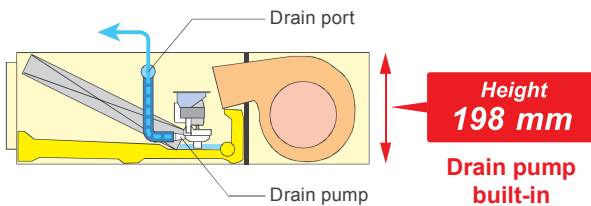
Wired R.C.



Features

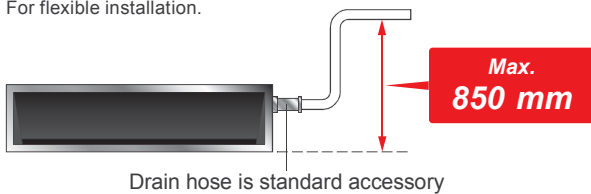
Slim design

The slim design allows installations where ceilings are narrow.



Drain hose as standard accessory

For flexible installation.



Selectable with a wide range of static pressure

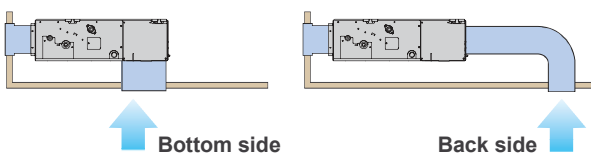
By using the DC fan motor, it is possible to change the static pressure range from 0 to 90 Pa.

The change of static pressure range is possible by remote controller.



Air-intake

Air intake direction can be selected to match the installation site.



Flexible installation

Ceiling concealed

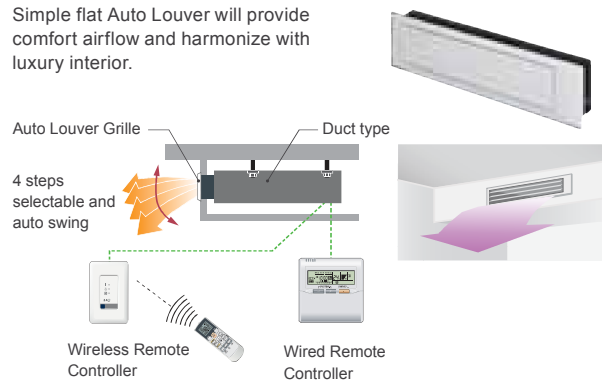


Floor concealed



Auto Louver Grille Kit (Option)

Simple flat Auto Louver will provide comfort airflow and harmonize with luxury interior.



Optional parts

Wired Remote Controller:	UTY-RNNYM, UTY-RVNYM
Simple Remote Controller:	UTY-RSNYM
IR Receiver Kit:	UTY-LRHYM
Remote Sensor Unit:	UTY-XSZX
Auto Louver Grille Kit:	UTD-GXSA-W (For ARYG12 / 14LLTB) UTD-GXSB-W (For ARYG18LLTB)

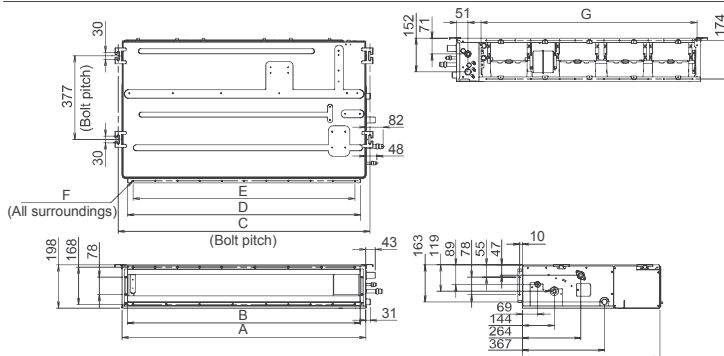


Specifications

Model No.	Indoor unit		ARYG12LLTB	ARYG14LLTB	ARYG18LLTB
	Outdoor unit		AOYG12LALL	AOYG14LALL	AOYG18LALL
Power Source	V/∅/Hz		230/1/50	230/1/50	230/1/50
Capacity	Cooling	kW	3.5 (0.9-4.4)	4.3 (0.9-5.4)	5.2 (0.9-5.9)
	Heating		4.1 (0.9-5.7)	5.0 (0.9-6.5)	6.0 (0.9-7.5)
Input Power	Cooling/Heating	kW	1.05/1.11	1.33/1.34	1.62/1.66
EER	Cooling	W/W	3.33	3.21	3.21
COP	Heating		3.69	3.71	3.61
Pdesign	Cooling/Heating	kW	3.5/4.2	4.3/4.5	5.2/5.2
SEER	Cooling	W/W	5.90	5.80	6.20
SCOP	Heating		4.00	3.90	4.10
Energy Efficiency Class	Cooling	A+			A++
	Heating	A+			A+
Running Current	Cooling/Heating	A	4.8/5.1	6.1/6.1	7.2/7.4
Annual Energy Consumption	Cooling	kWh/a	207	259	293
	Heating		1467	1614	1774
Moisture Removal			1.3	1.5	2.0
Sound Pressure (Cooling)	Indoor	H/M/L/Q	29/28/26/25		32/30/28/26
	Outdoor		High	47	49
Sound Power (Cooling)	Indoor	High	58	60	58
	Outdoor		High	61	62
Airflow Rate (High)	Indoor / Outdoor		650/1780	800/1910	940/2000
Static pressure range (Standard)			0 to 90 (25)	0 to 90 (25)	0 to 90 (25)
Net Dimension H x W x D	Indoor	mm	198x700x620	198x700x620	198x900x620
		kg(lbs)	19 (42)	19 (42)	23 (51)
	Outdoor	mm	578x790x300	578x790x300	578x790x300
		kg(lbs)	40 (88)	40 (88)	40 (88)
Piping Connections (Small / Large)			6.35/9.52	6.35/12.70	6.35/12.70
Drain Hose Diameter (I.D./O.D.)			25/32	25/32	25/32
Max Pipe Length (Pre-Charge)			25 (15)	25 (15)	25 (15)
Max Height Difference			15	15	15
Operation Range	Cooling	°CDB	-10 to 46	-10 to 46	-10 to 46
	Heating		-15 to 24	-15 to 24	-15 to 24
Refrigerant (Global Warming Potential)			R410A (1,975)	R410A (1,975)	R410A (1,975)

Dimensions Models : ARYG12LLTB / ARYG14LLTB / ARYG18LLTB

(Unit : mm)



	ARYG12 / 14LLTB	ARYG18LLTB
A	700	900
B	650	850
C	734	934
D	650	850
E	P100x6=600	P100x8=800
F	18x∅5	22x∅5
G	574	774

Medium Static Pressure Duct

Model : ARYG24LMLA / ARYG30LMLE / ARYG36LMLE / ARYG45LMLA /
 ARYG36LMLA [3phase] / ARYG45LMLA [3phase]



Wired R.C.



For ARYG24LMLA



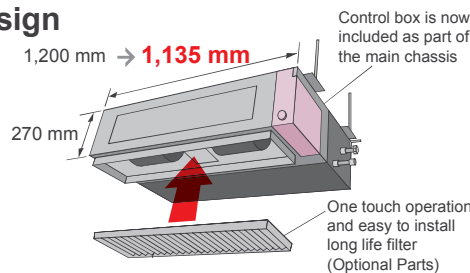
For ARYG36/45LMLA



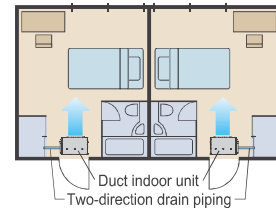
Features

Slim & Compact design

In the case of bottom return air connection, not only does the indoor unit design allow for installation in a narrow ceiling space of up to 270 mm, Further space savings have been achieved by mounting the control box internally inside the chassis.



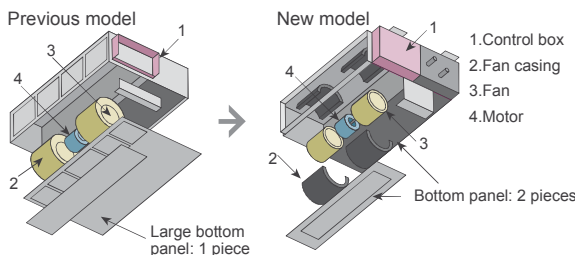
Two-direction drain piping



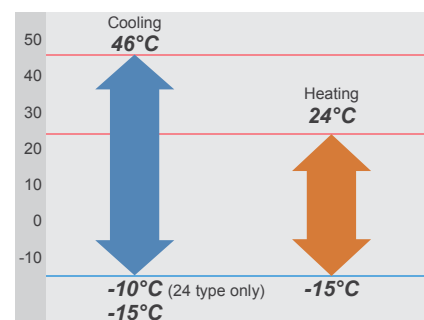
Easy maintenance

Structural improvement is attained by making the bottom panel two pieces, front and rear. The internal fan casing is also manufactured in two pieces, namely upper and lower. The maintenance of the motor and fan can be easily carried out by removing the rear panel and the lower part of the casing while leaving the main chassis installed.

See below for the case of rear suction type



Low ambient operation



Easy installation

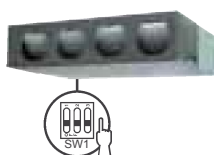
Main work settings can be done easily from the remote controller at installation

Main work settings

- High ceiling setting
- Auto restart
- Temperature adjustment when cooling / heating

Conventional type

Setting by DIP switch inside control box



Setting by wired remote controller



Optional parts

Wired Remote Controller:	UTY-RNNYM, UTY-RVNYM
Simple Remote Controller:	UTY-RSNYM
Flange (Round):	UTD-RF204
Flange (Square):	UTD-SF045T
Long Life Filter:	UTD-LF25NA
Remote Sensor Unit:	UTY-XSZX
Drain Pump Unit:	UTZ-PX1NBA
IR Receiver Kit:	UTY-LRHYM



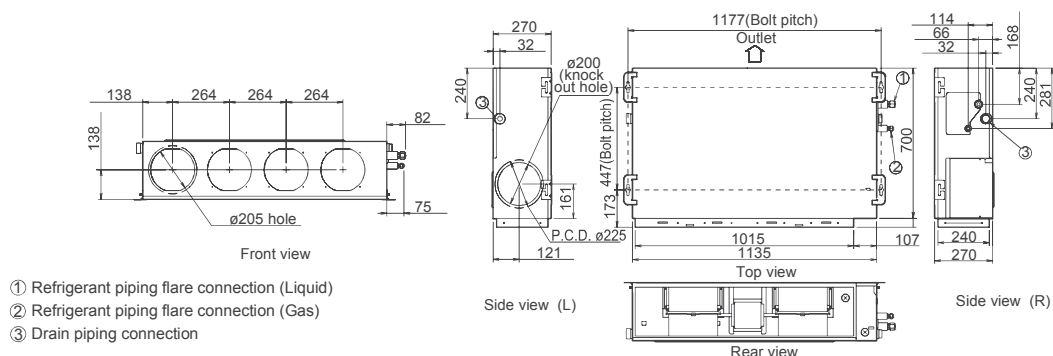
Specifications

Model No.	Indoor unit		ARYG24LMLA	ARYG30LMLE	ARYG36LMLE	ARYG45LMLA	ARYG36LMLA	ARYG45LMLA	
	Outdoor unit		AOYG24LALA	AOYG30LETL	AOYG36LETL	AOYG45LETL	AOYG36LATT	AOYG45LATT	
Power Source	V/∅/Hz		230/1/50	230/1/50	230/1/50	230/1/50	400/3/50	400/3/50	
Capacity	Cooling	kW	6.8 (0.9-8.0)	8.5 (2.8-10.0)	9.4 (2.8-11.2)	12.1 (4.0-13.3)	10.0 (4.7-11.4)	12.5 (5.0-14.0)	
	Heating		8.0 (0.9-9.1)	10.0 (2.7-11.2)	11.2 (2.7-12.7)	13.3 (4.2-15.5)	11.2 (5.0-14.0)	14.0 (5.4-16.2)	
Input Power	Cooling/Heating	kW	2.21/2.26	2.65/2.68	2.96/3.10	3.77/3.68	2.84/2.87	3.89/3.88	
EER	Cooling	W/W	3.08	3.21	3.18	3.21	3.52	3.21	
COP	Heating		3.54	3.73	3.61	3.61	3.90	3.61	
Pdesign	Cooling/Heating	kW	6.8/6.0	8.5/8.0	9.4/8.7	-	10.0/10.0	-	
SEER	Cooling	W/W	6.20	5.90	5.70	-	5.80	-	
SCOP	Heating		4.00	3.90	3.80	-	4.00	-	
Energy Efficiency Class	Cooling	A	A++	A+	A+	-	A+	-	
	Heating		A+	A	A	-	A+	-	
Running Current	Cooling/Heating	A	9.7/9.9	11.6/11.7	13.0/13.6	16.5/16.1	4.3/4.4	5.8/5.8	
Annual Energy Consumption	Cooling	kWh/a	384	504	576	-	603	-	
	Heating		2098	2868	3202	-	3497	-	
Moisture Removal	l/h		2.5	2.5	3.0	4.0	3.0	4.5	
Sound Pressure (Cooling)	Indoor	H/M/L/Q	31/29/27/25	39/35/30/26	39/35/30/26	42/38/32/28	38/36/31/26	42/38/32/28	
	Outdoor								High
Sound Power (Cooling)	Indoor	High	60	65	65	-	65	-	
	Outdoor								High
Airflow Rate (High)	Indoor / Outdoor		m ³ /h	1100/2470	1900/3600	1900/3800	2100/6200	1800/6200	2100/6750
Static pressure range (Standard)			Pa	30 to 150 (35)	30 to 150 (47)	30 to 150 (47)	30 to 150 (60)	30 to 150 (47)	30 to 150 (60)
			mm	270x1135x700	270x1135x700	270x1135x700	270x1135x700	270x1135x700	270x1135x700
Net Dimension H x W x D	Indoor	kg(lbs)		38 (84)	40 (88)	40 (88)	40 (88)	40 (88)	40 (88)
		mm		578x790x315	830x900x330	830x900x330	1290x900x330	1290x900x330	1290x900x330
	Outdoor	kg(lbs)		44 (97)	61 (134)	61 (134)	86 (189)	104 (229)	104 (229)
		mm		578x790x315	830x900x330	830x900x330	1290x900x330	1290x900x330	1290x900x330
Piping Connections (Small / Large)			6.35/15.88	9.52/15.88	9.52/15.88	9.52/15.88	9.52/15.88	9.52/15.88	
Drain Hose Diameter (I.D./O.D.)			35.7/38.1	35.7/38.1	35.7/38.1	35.7/38.1	35.7/38.1	35.7/38.1	
Max Pipe Length (Pre-Charge)			30 (15)	50 (20)	50 (20)	50 (20)	75 (30)	75 (30)	
Max Height Difference			20	30	30	30	30	30	
Operation Range	Cooling	°CDB	-10 to 46	-15 to 46	-15 to 46	-15 to 46	-15 to 46	-15 to 46	
	Heating		-15 to 24	-15 to 24	-15 to 24	-15 to 24	-15 to 24	-15 to 24	
Refrigerant (Global Warming Potential)			R410A (1,975)	R410A (1,975)	R410A (1,975)	R410A (1,975)	R410A (1,975)	R410A (1,975)	

Dimensions

Models : ARYG24LMLA / ARYG30LMLE / ARYG36LMLE / ARYG36LMLA / ARYG45LMLA

(Unit : mm)



High Static Pressure Duct

Model : ARYG45LHTA / ARYG54LHTA /

ARYG45LHTA [3phase] / ARYG54LHTA [3phase] / ARYG60LHTA [3phase]



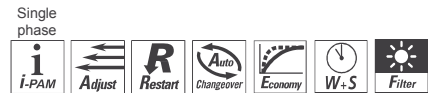
ARYG45/54LHTA



ARYG60LHTA



Wired R.C.



Features

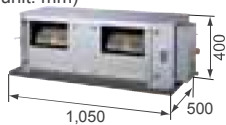
High energy efficiency

Significantly greater efficiency is realized by using all DC inverter technology. (60 type)

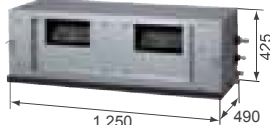
Easy installation (Compact size & Lightweight)

A compact size and lightweight indoor unit has been developed by reducing the basic chassis and the overall material weight.

(unit: mm)

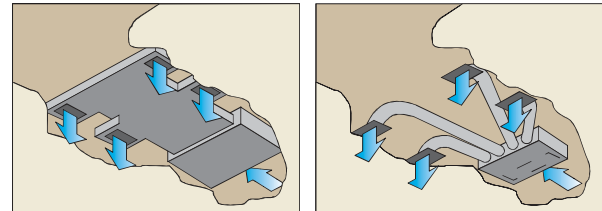
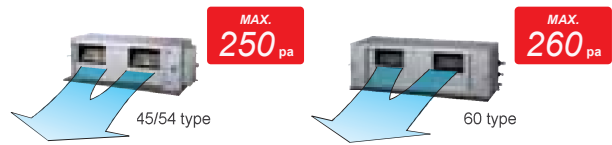


45/54 type



60 type

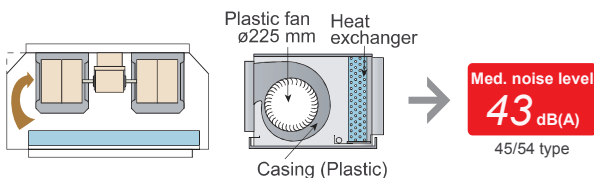
Design also corresponding to high static pressure



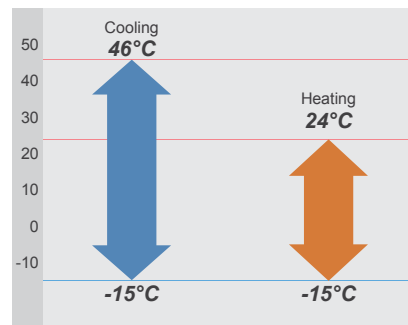
Low noise

Indoor unit

Cutting off the corners has enabled less turbulent airflow. Low noise is realized by adopting a plastic case and a plastic fan.

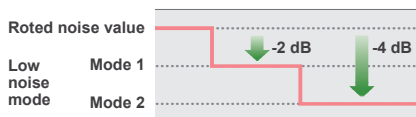


Low ambient operation



Outdoor unit

2 stage low noise mode can be selected. (Option)



Optional parts

- Wired Remote Controller: UTY-RNNYM, UTY-RVNYM
- Simple Remote Controller: UTY-RSNYM
- Long-Life Filter: UTD-LF60KA (For ARYG45/54LHTA only)
- Remote Sensor Unit: UTY-XSZX
- IR Receiver Kit: UTY-LRHYM (For ARYG60LHTA only)



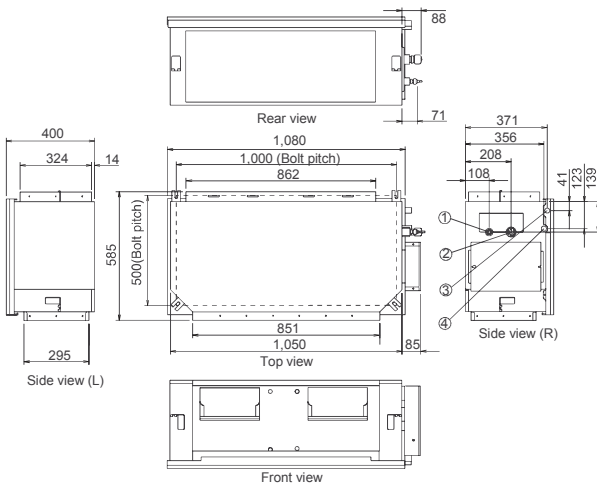
Specifications

Model No.	Indoor unit		ARYG45LHTA	ARYG54LHTA	ARYG45LHTA	ARYG54LHTA	ARYG60LHTA	
	Outdoor unit		AOYG45LETL	AOYG54LETL	AOYG45LATT	AOYG54LATT	AOYG60LATT	
Power Source	V/∅/Hz		230/1/50	230/1/50	400/3/50	400/3/50	400/3/50	
Capacity	Cooling	kW	12.5 (4.5-14.0)	13.4 (5.0-14.5)	12.5 (5.0-14.0)	14.0 (5.4-16.0)	15.0 (6.2-17.5)	
	Heating		14.0 (5.0-16.2)	16.0 (5.5-18.0)	14.0 (5.4-16.2)	16.0 (5.8-18.0)	18.0 (6.2-20.0)	
Input Power	Cooling/Heating	kW	4.30/3.80	4.77/4.69	4.06/3.67	4.65/4.37	4.70/5.15	
EER	Cooling	W/W	2.91	2.81	3.08	3.01	3.19	
COP	Heating		3.68	3.41	3.81	3.66	3.50	
Running Current	Cooling/Heating	A	18.9/16.7	20.9/20.5	6.1/5.5	6.9/6.5	6.9/7.6	
Moisture Removal			l/h	1.5	2.0	1.5	2.5	
Sound Pressure (Cooling)	Indoor	H/M/L High	dB(A)	47/43/40	47/43/40	47/43/40	47/43/40	
	Outdoor			55	55	54	55	56
Airflow Rate (High)	Indoor / Outdoor	m³/h	3350/6750	3350/6750	3350/6750	3350/6900	3550/6900	
Static pressure range (Standard)			Pa	100 to 250 (100)	100 to 250 (100)	100 to 250 (100)	100 to 250 (100)	60 to 260 (60)
Net Dimension H x W x D	Indoor	mm	400x1050x500	400x1050x500	400x1050x500	400x1050x500	425x1250x490	
		kg(lbs)	46 (101)	46 (101)	46 (101)	46 (101)	54 (119)	
	Outdoor	mm	1290x900x330	1290x900x330	1290x900x330	1290x900x330	1290x900x330	
		kg(lbs)	86 (189)	86 (189)	104 (229)	104 (229)	104 (229)	
Piping Connections (Small / Large)			mm	9.52/15.88	9.52/15.88	9.52/15.88	9.52/15.88	
Drain Hose Diameter (I.D./O.D.)			mm	23.4/25.4	23.4/25.4	23.4/25.4	23.4/25.4	
Max Pipe Length (Pre-Charge)			m	50 (20)	50 (20)	75 (30)	75 (30)	
Height Difference				30	30	30	30	
Operation Range	Cooling	°CDB	-15 to 46	-15 to 46	-15 to 46	-15 to 46	-15 to 46	
	Heating		-15 to 24	-15 to 24	-15 to 24	-15 to 24	-15 to 24	
Refrigerant			R410A	R410A	R410A	R410A	R410A	

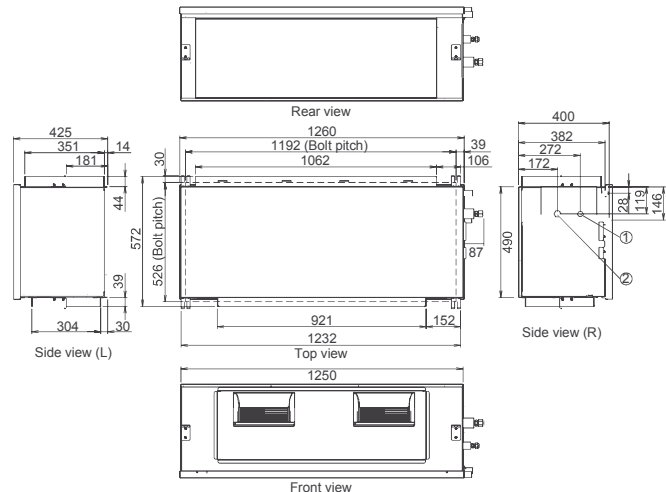
Dimensions Models : ARYG45LHTA / ARYG54LHTA / ARYG60LHTA

(Unit : mm)

Model: ARYG45LHTA / ARYG54LHTA



Model: ARYG60LHTA



- ① Refrigerant piping flare connection (Liquid) ③ Drain piping connection (Safety drain pan)
 ② Refrigerant piping flare connection (Gas) ④ Drain piping connection (Main drain pan)

High Static Pressure Duct

Model : ARYC72LHTA [3phase], ARYC90LHTA [3phase]



ARYC72LHTA



ARYC90LHTA



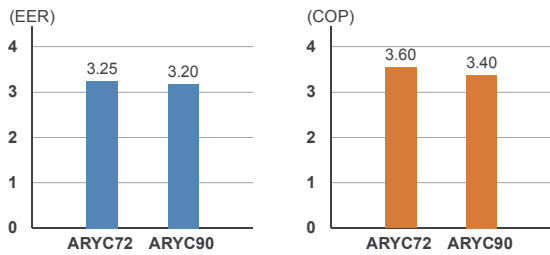
Wired R.C.



Features

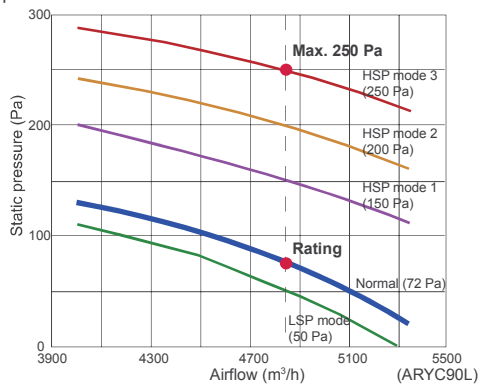
High energy efficiency

Significantly greater efficiency is realized by using DC twin rotary compressor, all DC inverter technology, and large heat exchanger.



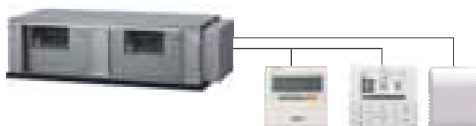
5 Static Pressure selection

Improvement and design flexibility has allowed multiple fan speeds and static pressure modes. Low noise is realized by adopting plastic case, plastic fan.



Pursuance of amenity performance

Various remote controllers and sensors can be selected.



Outdoor unit quiet operation

A low outdoor noise operation mode allows the outdoor unit to have two quiet mode operation settings.

Peak cut operation

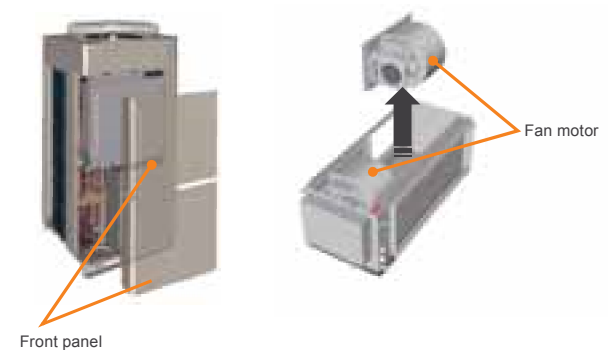
A peak power consumption mode controls a 4 step outdoor operation control to cut down energy usage at peak energy usage times.

Easy Service & Maintenance

- Split front panel allows for maintenance from top or bottom of the outdoor unit
- Fan motors of the indoor unit can be removed separately

Outdoor unit

Indoor unit



Optional parts

- Wired Remote Controller: UTY-RNNYM, UTY-RVNYM
- Simple Remote Controller: UTY-RSNYM
- Remote Sensor Unit: UTY-XSZX



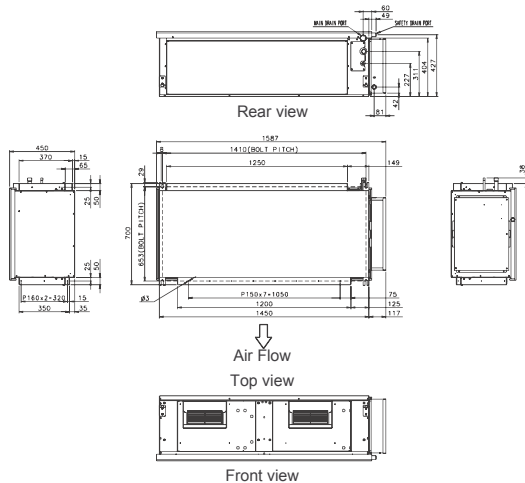
Specifications

Model No.	Indoor unit		ARYC72LHTA	ARYC90LHTA
	Outdoor unit		AOYA72LALT	AOYA90LALT
Power Source	V/∅/Hz		400/3/50	400/3/50
Capacity	Cooling	kW	20.3 (10.8-23.5)	25.0 (11.2-28.0)
	Heating		22.6 (12.0-26.5)	28.0 (12.5-31.5)
Input Power	Cooling/Heating	kW	6.25/6.27	7.82/8.24
EER	Cooling	W/W	3.25	3.20
COP	Heating		3.60	3.40
Running Current	Cooling/Heating	A	9.6/9.6	11.9/12.5
Moisture Removal	l/h		4.5	6.0
Sound Pressure (Cooling)	Indoor	H/M/L/Q High	dB(A)	47/44/41
	Outdoor			
Airflow Rate (High)	Indoor / Outdoor	m ³ /h	4300/9300	4850/10700
Static pressure range (Standard)	Pa		50 to 250 (72)	50 to 250 (72)
	mm		450x1587x700	550x1587x700
Net Dimension H x W x D	Indoor	kg(lbs)	100 (220)	110 (242)
		mm	1690x930x765	1690x930x765
	Outdoor	kg(lbs)	215 (473)	215 (473)
		mm	1690x930x765	1690x930x765
Piping Connections (Small / Large)	mm		12.70/25.40	12.70/25.40
Max Pipe Length (Pre-Charge)	m		75 (20)	75 (20)
Height Difference	m		30	30
Operation Range	Cooling	°CDB	-5 to 46	-5 to 46
	Heating		-15 to 24	-15 to 24
Refrigerant			R410A	R410A

Dimensions Models : ARYC72LHTA / ARYC90LHTA

(Unit : mm)

Model: ARYC72LHTA



Model: ARYC90LHTA

